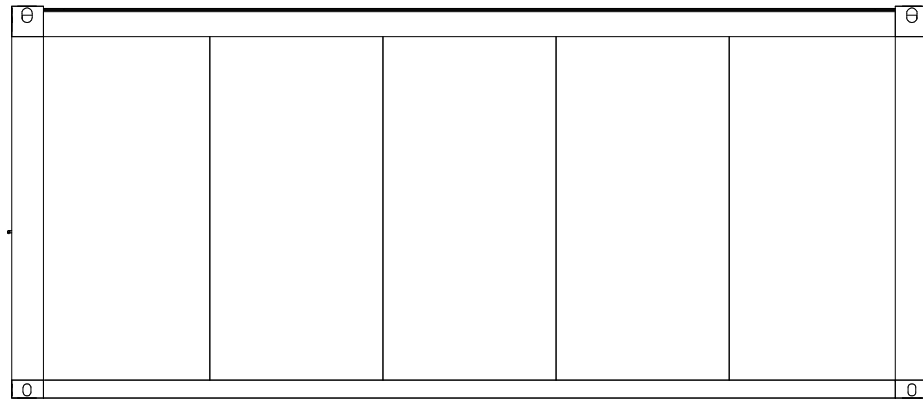
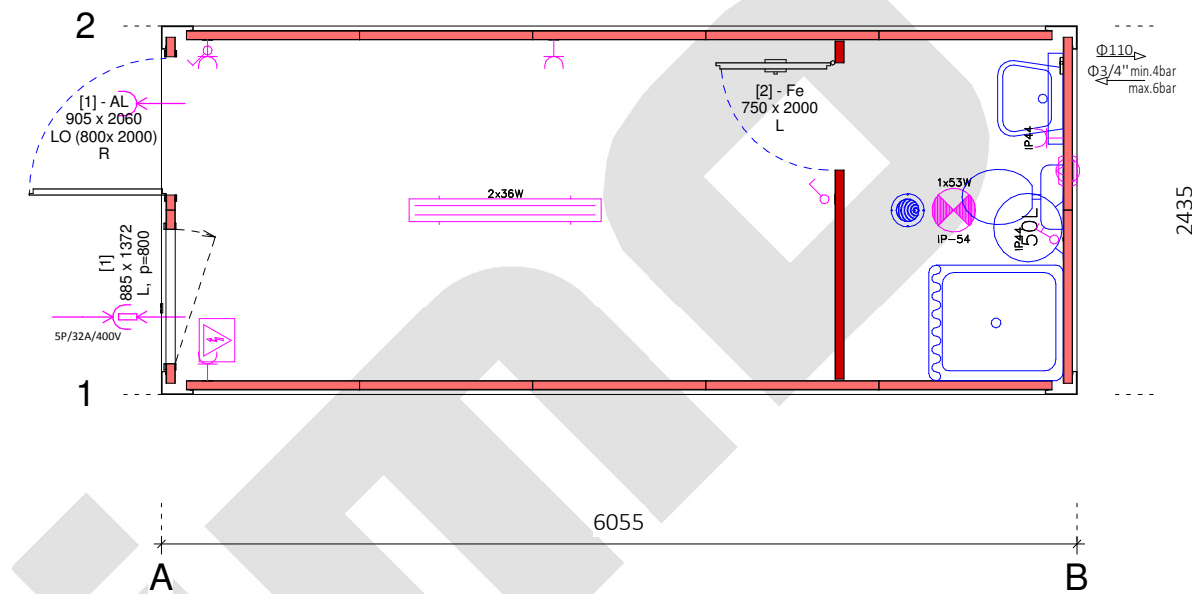


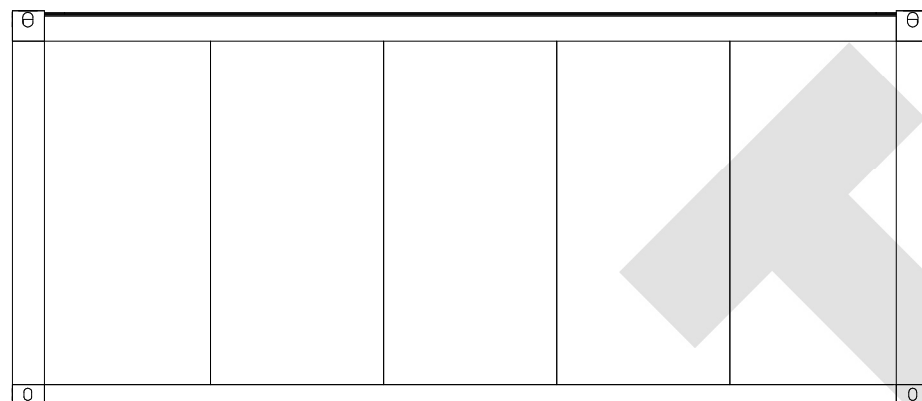
View Front side
1 : 50



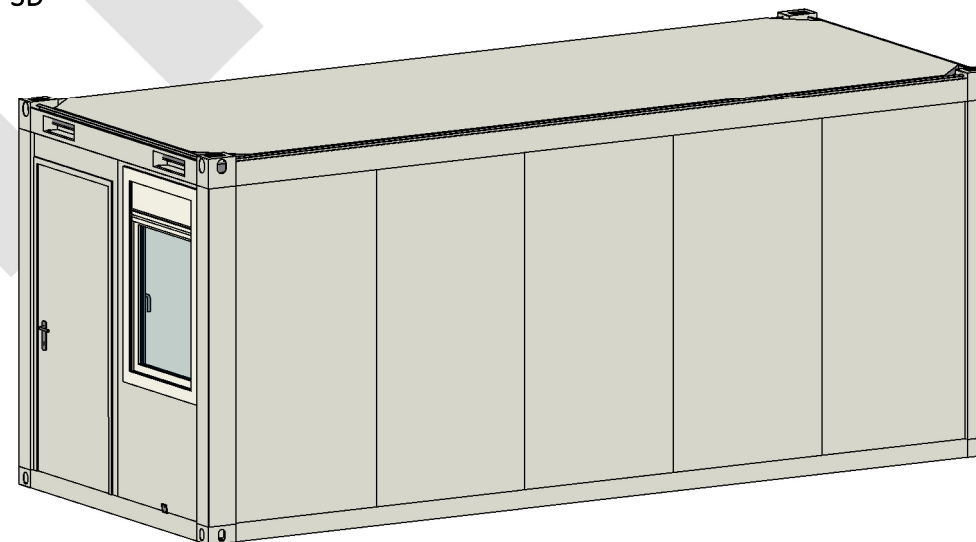
Plan view
1 : 50



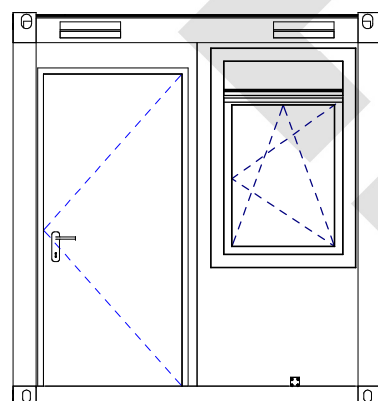
View Back side
1 : 50



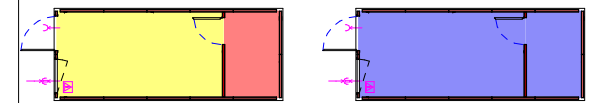
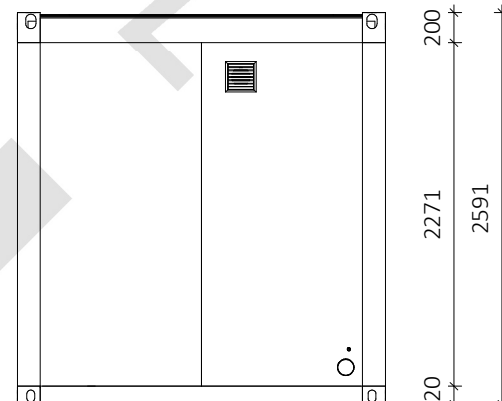
3D



View Left side
1 : 50



View Right side
1 : 50

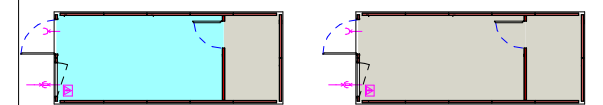


Floor plate

- Chipboard
- Woodcement plate

Floor covering

- PVC Gray



Ceiling covering

- Chipboard white
- FT 9002

Inner wall color

- RAL 9002

Symbol	Light type	Pcs.
	Fluo light 2x36W	1
	Light sanitary 1x53W IP54	1

Symbol	Electrical equipment	Pcs.
	Phase switch IP44	1
	Switch single IP20	2
	Electrical fan	1
	Socket single IP20	3
	Socket single IP44	1



Trimo MSS, Modular Space Solutions, d.d.
Prijateljjeva cesta 12, 8210 Trebnje, Slovenija

Purchaser:	Drwg. Nr.: STD-003 - 02
Drwg. name: Plan with views	Version.: 1
Object: TIP C1	Scale: As indicated
Ref. number: STD 003	Designed: Trimo MSS
Date: 1.10.2015	Approved:

Panel	Type	Ins. [mm]	Labels	Trimo
	FTV-60	60	Water inst.	PVC
	Fe-60	60	Electricity	230/400V, 50 Hz
			Forklift	/
			Ceiling insulation	100mm
			Floor insulation	100mm
			Frame galvaniz.	/
			Panel color	RAL 9002
			Frame color	RAL 9002
			Inner height	2,326m
			Accomplishment	Assembled

Documentation is defined as BUSINESS SECRET and is property of TRIMO MSS d.d. Any copying, transfer to third person, self profiting without knowing of owner means violance of industry property and violator is responsible for law and monetary compensation.